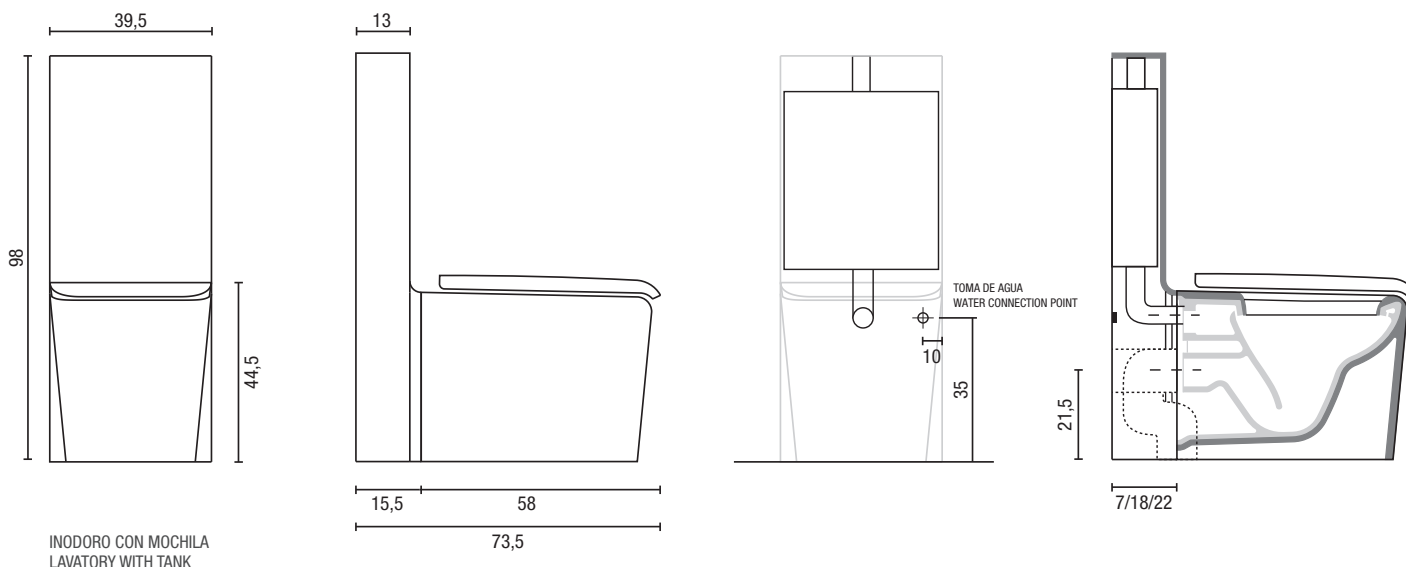


TRANSIT

DESIGN **PLUS**
2007

SANITARIOS / BATHROOM FITTINGS

Diseño / Design: Nacho Lavernia - Alberto Cienfuegos



Características

Serie de sanitarios, inodoros y bidé, que combina STONEFEEL® y porcelana.

La resina mineral STONEFEEL® se fusiona con la porcelana convirtiéndose en una pieza sólida en la que cada material aporta sus cualidades: la porcelana su limpieza e higiene y el STONEFEEL® su textura sedosa y su capacidad de crear planos y formas difíciles de conseguir con la porcelana.

Versiones

Inodoro para cisterna empotrada con descarga horizontal a pared.

Inodoro con cisterna con posibilidad de descarga horizontal o vertical. La cisterna incluye mecanismo Geberit.

Materiales

Los inodoros y bidé se realizan en STONEFEEL® de color: blanco, crema o antracita. Y en su interior son de porcelana sanitaria.

Tapas y asientos de inodoros realizadas en STONEFEEL® con bisagras de acero inoxidable.

STONEFEEL® es una resina mineral de alta calidad desarrollada por SANICO que une a su resistencia y fácil mantenimiento un tacto suave que la hace muy especial.

Features

A series of bathroom fittings -bidets and lavatories- that combine porcelain and STONEFEEL®.

STONEFEEL®, a mineral resin, which fuses with porcelain to be converted into a single, solid piece in which each material contributes its qualities: porcelain giving cleanliness and hygiene, and STONEFEEL® its silky finish and ability to form shapes that are almost impossible to achieve in porcelain.

Versions

Lavatory discharging horizontally to tank and waste-pipe configuration within rear wall.

Lavatory with a tank allowing discharge either horizontally or vertically. The tank includes a Geberit mechanism.

Materials

Lavatories, with interiors made of hygienic porcelain, and bidets both made in white, cream-coloured and anthracite STONEFEEL®.

Lavatory seats and lids made in STONEFEEL® with hinges of stainless steel.

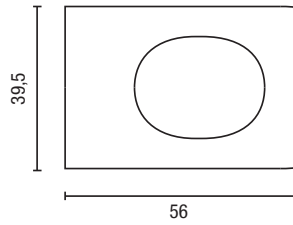
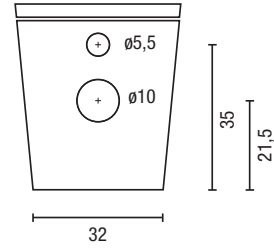
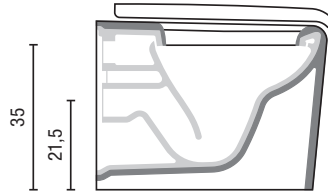
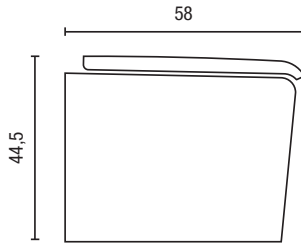
STONEFEEL® is a high quality mineral resin developed by SANICO. It is strong, easy to clean, and has a very special, smooth finish that is pleasing to the touch.

TRANSIT

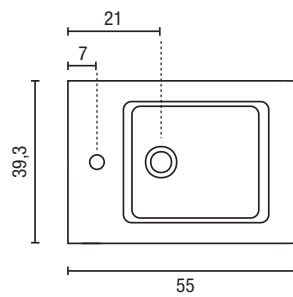
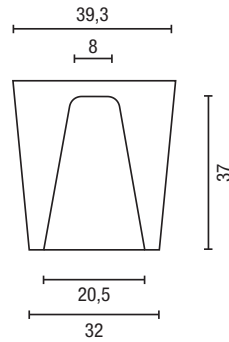
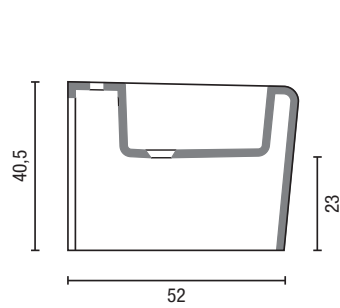
DESIGN PLUS
2007

SANITARIOS / BATHROOM FITTINGS

Diseño / Design: Nacho Lavernia - Alberto Cienfuegos



INODORO TRANSIT
TRANSIT LAVATORY



BIDÉ TRANSIT
TRANSIT BIDET